

GILGEN ROLEGARD HIGH SECURITY SHUTTER

SR4-SSH-D-CD

Security tested to LPS1175, issue 7, level 4. Heavy duty single skin with integral chain geared motor. Protects high risk facilities against experienced attempts of forced entry. Hurricane rated for exposed sites

Introduction

A range of specialist roller shutters with enhanced levels of tested security resistance. These products provide compliance with insurance and Police Preferred 'Secured By Design' standards.

Model

Special heavy duty profiles are used to create a 'fully scaled' rolling shutter designed for harsh environments with standing wind speeds up to hurricane levels.

Operation

Electrically operated by means of a heavy duty chain geared drive motor and a secondary safety brake unit. Suitable for applications which require a three phase mains power supply and high quality drive system. Manual override is provided by a low level hand chain.

Door controls and locking

Local controls are normally by means of a low level, wall mounted controller which includes push buttons for open close and emergency stop functions. Anti-jacking locking provision is provided by a pair of pad lockable sprung shoot bolts positioned on the inside of the shutter at low level.

Typical applications

Shutters with external direct drive motors are normally used on buildings with three phase mains power supply such as industrial applications which may require medium to heavy usage for example vehicle access doors.

Options

- Powder coat finish BS/RAL common codes
- A range of activation controls, sensors and switches

- A range of safety devices
- Remote controls
- Hood and motor covers
- Automatic electronic anti-jacking bolts with monitored battery back-up system
- Ballistics rating

Standard Performance

Manufactured and supplied in accordance with the safety and performance characteristic requirements of BS EN 13241-1. Electrical controls – IP65
Wind pressure: Class 5 (Beaufort 13, 93mph, 1000N/m²).



Cert No. 1123a



LPS1175 issue 7
Security rating (SR) 4



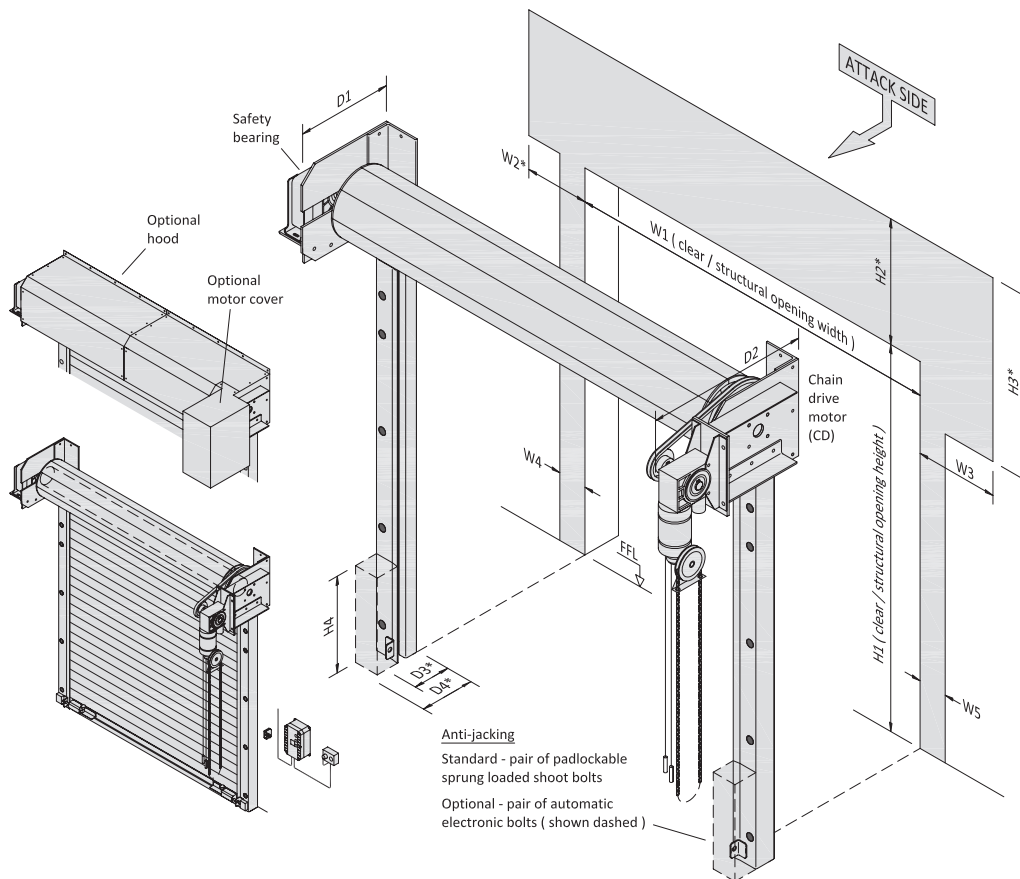
Sheet RHS 9

Refer to introduction sheet RHS 1 for details of full product range available



Product details and space requirements

Product name	Model	Profile type (Main shutter curtain)	Security rating (SR)
Rolegard security	SR4-SSHD-CD	Hurricane specification, concave face, single skin	4



Mains power supply requirements

415 volt AC, 3 phase and neutral supply

Sizes (width x height) are measured in metres and the maximum area is measured as square metres

SR4-SSHD - chain drive (single chain)

m ²	W1	W2	W3*	W4	W5	H1	H2*	H3	H4	D1	D2	D3*	D4*
52.5	8000	355	440	155	155	4000	750	1050	600	600	1100	175	225
52.5	6000	355	440	155	155	6000	800	1100	600	650	1150	175	225
52.5	4000	355	440	155	155	8000	850	1150	600	700	1200	175	225

W2* add 125mm if access required for installation and removal of safety bearing

H2* add 75mm if hood is required and 85mm if safety edge is required

H3* add 75mm if hood is required and 85mm if safety edge is required

D3* allow extra 150mm at bottom of guide for locking access

D4* optional electronic bolts - allow extra 125mm at bottom of guide for installation and servicing

Does not include space for controls or manual override access and use

Sheet RHS 9

Refer to introduction sheet RHS 1 for details of full product range available