

# GILGEN ROLEGARD HIGH SECURITY SHUTTER

## SR3-INSHD-DD

Security tested to LPS1175, issue 7, level 3 with integral direct drive motor. Protection for medium to high risk areas against determined forced entry. Hurricane rated insulation or acoustic performance.

### Introduction

A range of specialist roller shutters with enhanced levels of tested security resistance. These products provide compliance with insurance, Police Preferred Specifications and Secured By Design standards.

### Model

Double skin, heavy duty, flat faced profiles are used with an insulating core for either thermal or acoustic performance. Designed for harsh environments withstanding wind speeds up to hurricane levels.

### Operation

Electrically operated by means of a direct drive motor. Suitable for applications which require a three phase mains power supply and high quality drive system. Manual override is provided by a low level hand chain.

### Door controls and locking

Local controls are normally by means of a low level, wall mounted controller which includes push buttons for open, close and emergency stop functions. Anti-jacking locking provision is provided by a pair of pad lockable sprung shoot bolts positioned on the inside of the shutter at low level.

### Typical applications

Shutters with external direct drive motors are normally used on buildings with three phase mains power supply such as industrial applications which may require medium to heavy usage for example vehicle access doors.

### Options

- Powder coat finish BS/RAL common codes
- A range of activation controls, sensors and switches
- A range of safety devices

- Remote controls
- Hood and motor covers
- Automatic electronic anti-jacking bolts with monitored battery backup system

### Standard Performance

Manufactured and supplied in accordance with the safety and performance characteristic requirements of BS EN 13241-1.

Electrical controls – IP65

Wind pressure: Class 5 (Beaufort 13, 93mph, 1000N/m<sup>2</sup>).

Thermal insulation:

U value = 4.4W/m<sup>2</sup>.K

Acoustic : Rw= up to 35db



Cert No. 1123a



LPS1175 issue 7

Security rating (SR) 3

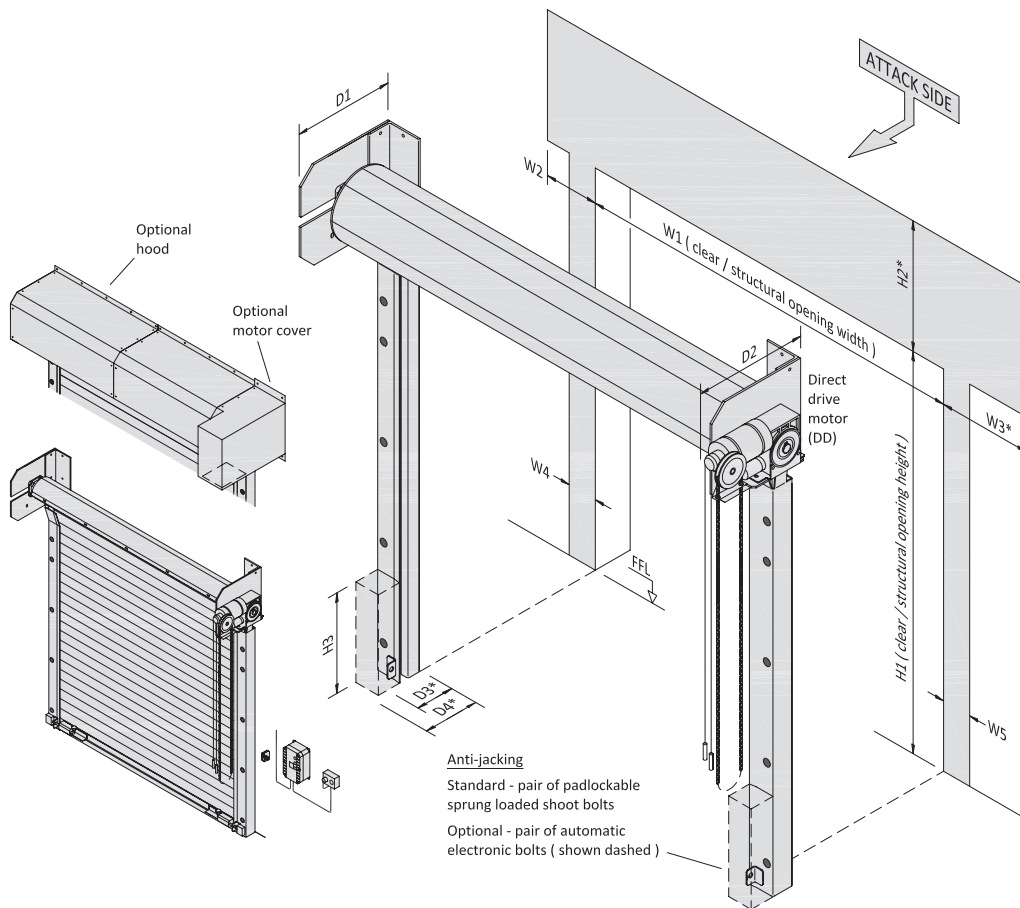


Sheet RHS 10

Refer to introduction sheet RHS 1 for details of full product range available

# Product details and space requirements

Product name	Model	Profile type (Main shutter curtain)	Security rating (SR)
Rolegard security	SR3-INSHD-DD	Flat faced, insulated core	3



## Mains power supply requirements

415 volt AC, 3 phase and neutral supply

Sizes (width x height) are measured in metres and the maximum area is measured as square metres

Door area	W1	W2	W3*	W4	W5	H1	H2*	H3	D1	D2	D3*	D4*
30	8000	225	425	155	155	4000	750	600	600	1075	175	225
30	8000	225	425	155	155	6000	850	600	700	1175	175	225
30	5000	225	425	155	155	8000	950	600	800	1275	175	225

W3\* add 200mm if access required for installation and removal of motor

H2\* add 75mm if hood is required and 85mm if safety edge is required

D3\* allow extra 150mm at bottom of guide for locking access

D4\* optional electronic bolts - allow extra 125mm at bottom of guide for installation and servicing

Does not include space for controls or manual override access and use

Sheet RHS 10

Refer to introduction sheet RHS 1 for details of full product range available