

GILGEN ROLEGARD HIGH SECURITY SHUTTER

SR2-SS-TM

Security shutter tested to LPS1175, issue 7, level 2 complete with tubular motor. Medium risk security to protect against determined opportunist attack.

Introduction

A range of specialist roller shutters with enhanced levels of tested security resistance. These products provide compliance with Insurance, Police Preferred Specifications and Secured by Design standards.

Model

Shutter construction is a galvanised steel, single skin, heavy gauge, concave profile with reinforced side guides and bottom profile.

Operation

Electrically operated by means of an integral tubular motor. Suitable for applications which have limited head space or require a compact appearance and buildings which are limited to a single phase mains power supply.

Door controls and locking

Local controls are normally by means of a low level set of push buttons or a key switch dependant on the operational requirements. Manual override is via a hand crank. Anti-jacking locking provision is provided by a pair of guide mounted, key operated pin locks positioned on the inside of the shutter at low level.

Typical applications

Shutters with integral tubular motors are normally limited to openings which require low cycle usage for example shop fronts, commercial entrances or vehicle access routes with low traffic requirements. Security shutters can be used on the outside or inside of facades as part of layered security systems (as illustrated below) or alternatively, as a stand alone physical barrier.

Options

- Powder coat finish BS/RAL common codes
- Group command controls
- Remote control
- Hood cover

Standard Performance

Manufactured and supplied in accordance with the safety and performance characteristic requirements of BS EN 13241-1. Electrical controls – IP54
Wind pressure: Class 3 (Beaufort 11, 73mph, 700N/m²)



Cert No. 1123a



LPS1175 issue 7
Security rating (SR) 2

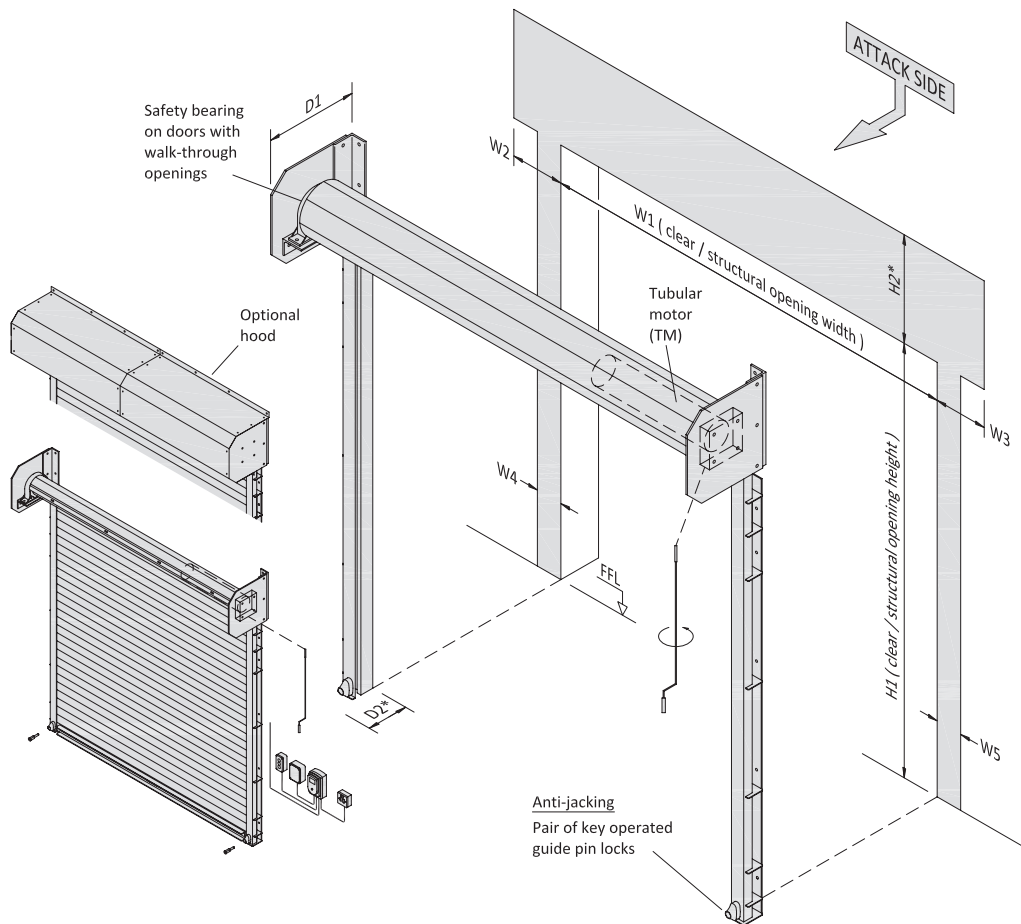


Sheet RHS 2

Refer to introduction sheet RHS 1 for details of full product range available

Product details and space requirements

Product name	Model	Profile type (Main shutter curtain)	Security rating (SR)
Rolegard security	SR2-SS-TM	Concave face, single skin	2



Mains power supply requirements

230 volt AC, 1 phase supply

Sizes (width x height) are measured in metres and the maximum area is measured as square metres

Door area	W1	W2	W3	W4	W5	H1	H2*	D1	D2*
20	8000	195	195	125	125	4000	500	425	175
20	4000	195	195	125	125	6000	575	500	175
20	3000	195	195	125	125	8000	575	500	175

H2* add 75mm if hood is required and 85mm if safety edge is required

D2* allow extra 150mm at bottom of guide for locking access

Does not include space for controls or manual override access and use

Sheet RHS 2

Refer to introduction sheet RHS 1 for details of full product range available