

GILGEN SLX SLIDING DOOR DRIVE UNIT, COMBINED WITH PSX PROFILE SYSTEM

Design and technology combined in a 100 mm header profile

The Gilgen SLX sliding door drive unit is of modular design, to include all possible functions. With a header profile measuring just 100 mm in height, it fulfils the most exacting specification in terms of designer performance and aesthetic features. This powerful system can operate even heavyweight doors with smooth, robust efficiency. A special runner surface with rubber damping helps ensure quiet operation. The elegantly designed sensor system is built into the header profile.

Versatile usage

- The ideal combination for a wide range of uses
- Elegant design
- Trim profile (40 mm)
- Reliable, long-term operation
- TÜV-approved, and conforms to the relevant norms and standards (such as EN 16005, DIN 18650)



The Gilgen SLX sliding door drive unit, with a header profile measuring just 100 mm in height, is combined with the equally slimline Gilgen PSX profile system to create a truly elegant design

Possible applications

- Single and bi-parting sliding doors
- Emergency-exit function (redundant configuration)
- With glazed overhead panel
- With side panels
- With pocket screen
- Ideal for buildings with high levels of pedestrian traffic (such as supermarkets, railway stations, airports, hospitals, etc.)
- Standard locking-system built into drive mechanism
- FLUVERI multi-point locking (integrated into door leaf) manual/automatic
- With floor lock
- Flush bottom guide rail or fixed point guide
- Can be attached to the door lintel or wall
- Self-supporting, with pillar reinforcement

Glazing and infill options

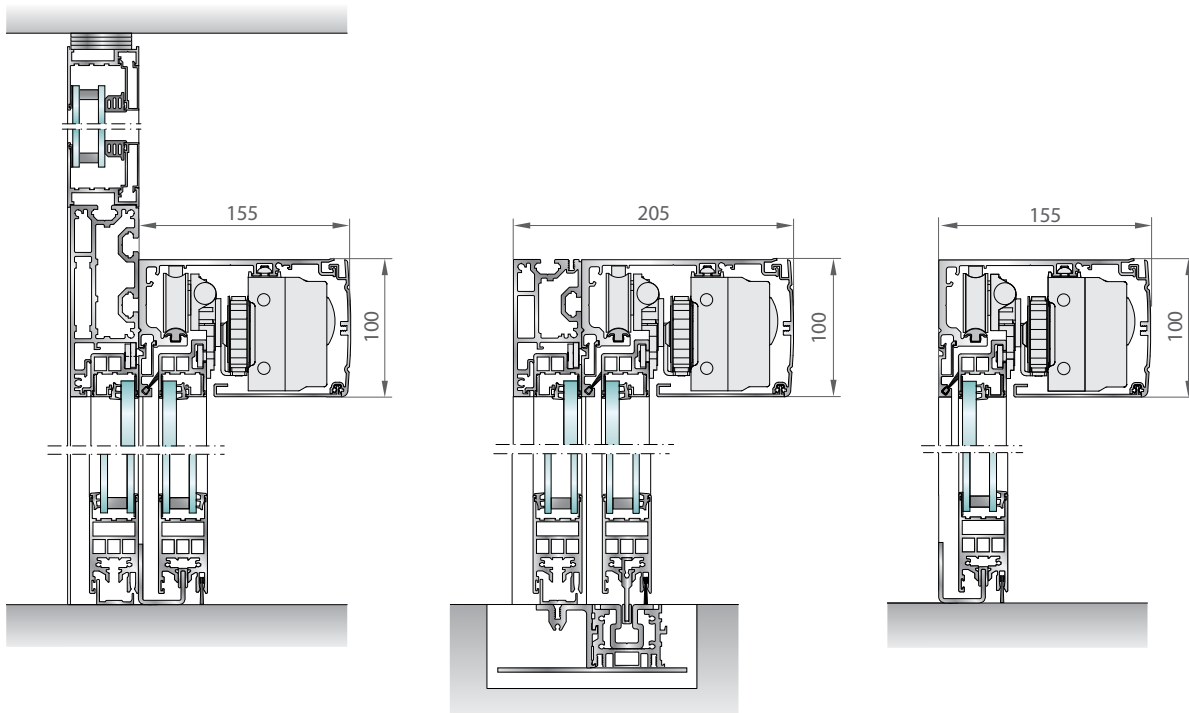
- Safety glass ESG / VSG
- Insulating glass
- Glass thickness: 6 to 24 mm
- Infill's made of plastic, aluminium and wood

Surface finish of aluminium profiles

- Anodised (coloured or colourless)
- RAL colours, Polyester powder coating (PPC)



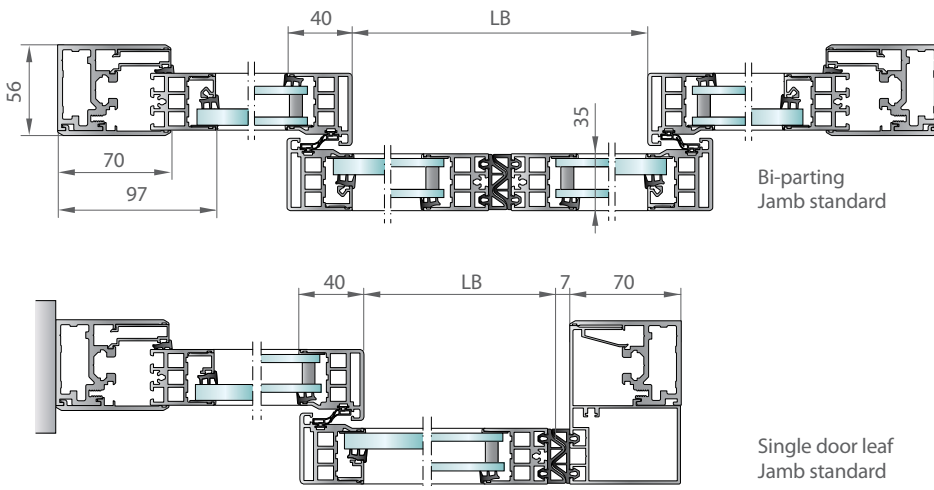
Gilgen SLX sliding door drive unit, combined with the PSX profile system



Robust self supporting construction with optional glazed overhead panel for free standing drive system installation and easy integration into existing facades.

Single and bi-parting systems with side panel and bottom guide rail

Singles and bi-parting systems without side panel, but with fixed point guide



Bi-parting Jamb standard

Single door leaf Jamb standard

Range of application for Gilgen SLX sliding door drive unit with PSX profile system

		Bi-parting	Single door leaf
Sliding door SLX	Clear opening width	800 - 3000 mm	700 - 2000 mm
	Max. door leaf weight	2 x 150 kg	150 kg
	Clear height	standard 2100 mm / possible up to 3000 mm	
SLX redundant	Clear opening width	900 - 3000 mm	950 - 2000 mm
	Max. door leaf weight	2 x 150 kg	150 kg
	Clear height	standard 2100 mm / possible up to 3000 mm	