

GILGEN AUTOMATIC HERMETIC SLIDING DOOR SLX-D

Hygiene and sound insulation for particularly sensitive areas

In hospital clean-rooms, clinics or food production facilities, chemical and pharmaceutical industries, tightly sealed doors are indispensable. The tested automatic Gilgen SLX-D sliding door with patented pivoting mechanism prevents unwanted exchange of air as well as the penetration of foreign particles and impurities. The required pressure hierarchy can be maintained.

Automatic opening and closing ensures hygienic and barrier-free access while optimising the respective operating procedure.

Versatile usage

- High degree of tightness
- Controlled hygiene
- High degree of sound insulation
- Fully tested system
 - TÜV-tested DIN 18650-1/2
 - Air permeability conforming to EN 12207, class 2
 - Sound insulation 32 dB

Possible applications

- Single door leaf sliding doors
- Wide range of door leaves
- Suitable for operating rooms, laboratories, pharmaceutical and food industries, music rooms, etc.

Functional and user-friendly

The complete range of selectable functions and available control and safety elements enables you to find the optimal solution for your situation.

Safety-tested

The «Combi-Scan» and (depending to situation) the «Side-Scan» presence detectors integrated in the drive unit offer protection to door users staying in the range of movement of the door leaves.

The Gilgen SLX-D sliding door drive unit is TÜV-approved, and conforms to the relevant norms and standards (such as EN 16005, DIN 18650).



The Gilgen SLX-D automatic hermetic door is the ideal choice, where airtight doors and hand-free access are a top priority for guaranteeing optimal hygiene and sound-proofing.



User-friendly and convenient



Opening elements

Large optical pushbuttons and/or movement sensors integrated into the drive mechanism ensure smooth, hands-free access.



Controlled access

Pushbuttons, elbow-activated switches or other access systems can be selected for a controlled opening.



Door-opening in the event of a power failure

The operating lever allows you to open the door manually in the event of a power failure, even if there are differences in pressure.

Gilgen SLX-D automatic hermetic door - installation possibilities

During the closing movement, the pivoting mechanism integrated into the drive unit causes the wing to be simultaneously lowered and pressed against the door frame. The lowering movement and allround gaskets provide the door with a hermetic seal.

The drive mechanism, door leaf surface and seals have been designed to withstand all commonly used cleaning products and the rounded shape of the aluminium drive cover ensures any residue cleaning product will run off.

Technical data

Mains power supply	230 VAC, 50/60 Hz 115 VAC, 50/60 Hz
Protection rating	IP 23
Control voltage	24 VDC
Power consumption	100 W
Ambient temperature	- 15 ... + 50 C

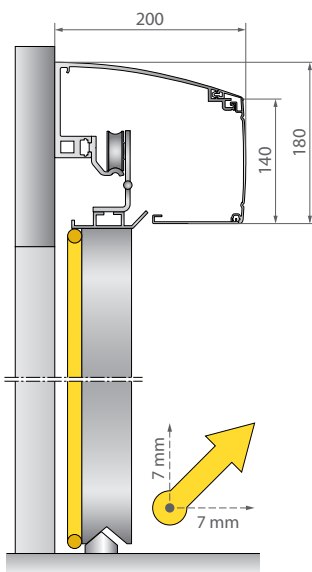
Application limits

Single door leaf version

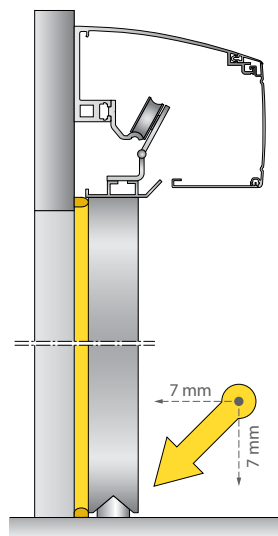
Clear width LB	800 2000 mm
Clear height LH	optimal 2100 mm possible up to 2400 mm
Max. door leaf weight	200 kg

Our range of standard door leaves

Air permeability	Class 2 (EN 12207)
Door leaf finish	Formica-high pressure laminate or polished stainless steel
Door leaf frame	Colourless anodised aluminium
Emergency-opening mechanism	Emergency operating lever with colourness anodised finish
Window types	• 2 x 6 mm ESG, for flush mounting • 9 mm ESG (safety glass) • 6 mm ESG (safety glass)
Frame	• Single frame • Double frame, wall thickness 70 - 600 mm Colourless anodised aluminium
X-ray shielding	With lead insert and special window 9 mm ESG (safety glass), for flush mounting (for hermetic doors only)
Sound protection	up to 32 dB



Gilgen SLX-D automatic hermetic door with drip-off covering, running carriage shown in open door position.



Door in lowered and closed position, the wing offers a tight all-round seal.