

GILGEN SLA SLIDING DOOR DRIVE UNIT, COMBINED WITH PSA PROFILE SYSTEM

Narrow-framed glass door leaves with basic drive mechanism

The Gilgen SLA sliding door drive unit offers carefully-developed functions and user-oriented quality. The simple layout of its components guarantees fast installation and maintenance. An optimum solution, with a highly-attractive price/performance ratio.

Versatile usage

- Carefully designed profile system
- The vertically interlocking configuration of the door leaves offers guaranteed robustness and protection from draughts
- Simple installation
- Innovative dry-glazing system increases the robustness of the door leaf
- TÜV-approved, and conforms to the relevant norms and standards (such as EN 16005, DIN 18650).

Possible applications

- Single and bi-parting sliding doors
- With side panels
- With pocket screen
- The high proportion of glass and the slim profile makes this configuration ideal for design orientated architectural solutions
- Suitable for both internal and external use
- Standard locking-system built into drive mechanism
- With floor lock
- Flush bottom guide rail or fixed point guide
- Can be attached to the door lintel or wall

Glazing and infill options

- Safety glass ESG / VSG
- Glass thickness: 6, 8 or 10 mm
- Infill's made of plastic, aluminium and wood

Surface finish of aluminium profiles

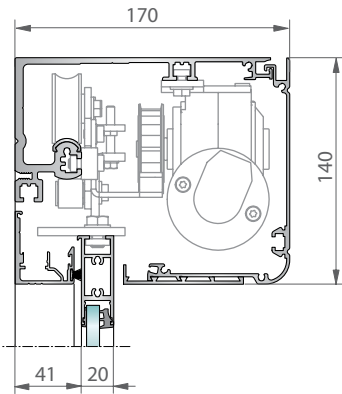
- Anodised (coloured or colourless)
- RAL colours, Polyester powder coating (PPC)



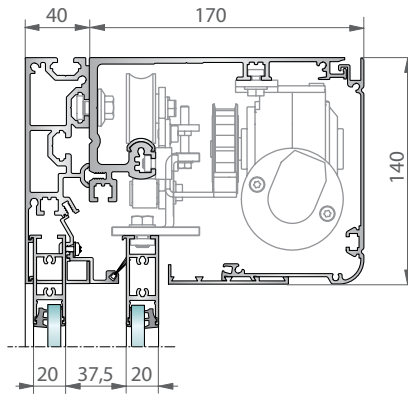
The carefully designed Gilgen PSA profile system protects the glass, while providing an impressively-slim profile and high level of robustness.



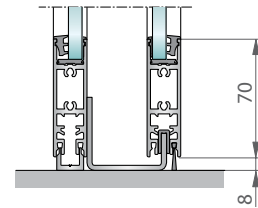
Gilgen SLA sliding door drive unit, combined with the PSA profile system



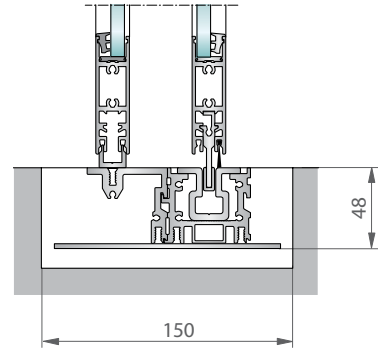
Single door leaf without side panel



Bi-parting with side panel and assembly profiles



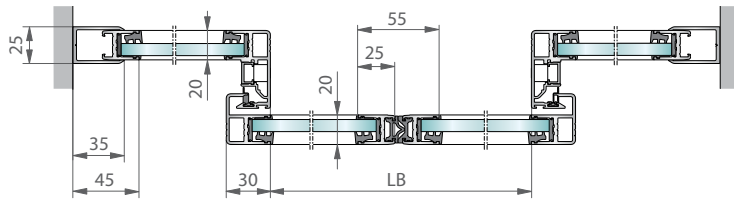
Fixed point guide



Continuous bottom guide rail

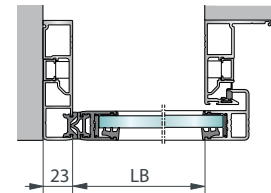
Installation versions

Bi-parting door with side panel

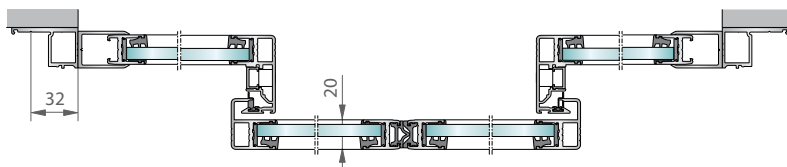


Wall mounting

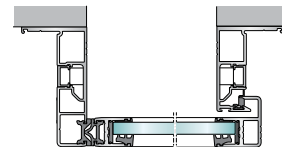
Single door leaf without side panel



Wall mounting



Lintel mounting



Lintel mounting

Range of application for Gilgen SLA sliding door drive unit with PSA profile system

		Bi-parting	Single door leaf
Sliding door SLA	Clear opening width	900 - 2500 mm	700 - 1300 mm
	Max. door leaf weight	2 x 100 kg	100 kg
	Max. clear height	standard 2100 - 2300 mm, possible up to 2500 mm	