

# GILGEN DRIVE UNITS FOR OUTDOOR SWING GATES

## User-friendly site access gates

### Convenient door operation – regardless of the weather conditions

In rain, snow or in the dark - you can drive straight in without stopping or having to get out of your vehicle. You are out of the traffic and inside your property safely.

### Controlled access to your premises

Automatic outdoor gates are a reliable protection against unauthorized access to parking areas and industrial or private properties. At the same time they offer unhindered and controlled access for the authorized persons.

### The advantageous investment

Gilgen Door Systems's drive units for outdoor swing gates are designed to meet the highest quality standards. They are characterized by a surprisingly high availability and guarantee a maximum preservation of the value of your property or facility.

### Compact and versatile

The extensive Gilgen Door Systems product range offers compact automation solutions, which can be individually customized to suit the particular gate situation and your personal requirements.

### Control and safety elements

Various control elements are available and can be selected to function in various environments; combined with adequate safety elements that are in accordance with the applicable legal regulations. User-friendly and safe passage are guaranteed.

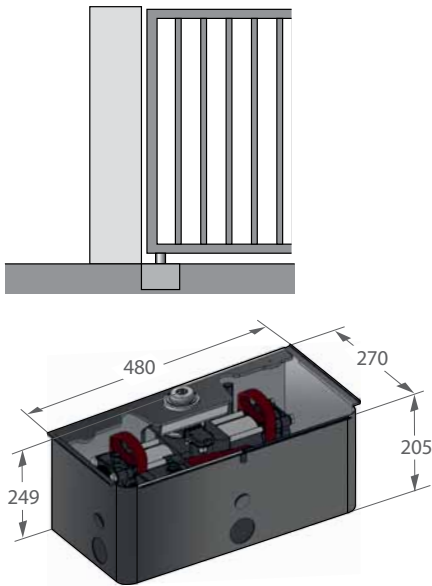


Gilgen outdoor swing gate drive units open both light and heavyweight site-access gates easily and effortlessly to guarantee a smooth flow of traffic.

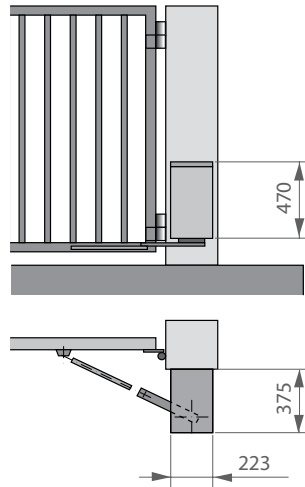


## Multiple automation solutions with Gilgen outdoor swing door drive units

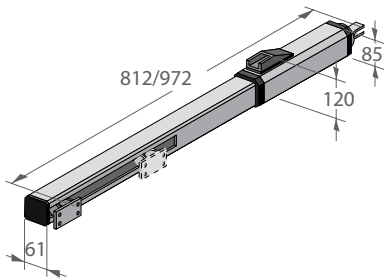
### BF-800



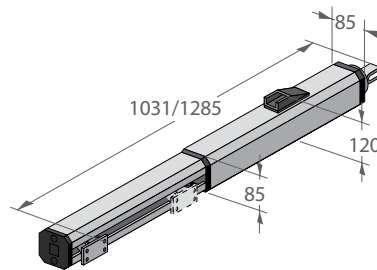
### K-40-H



### LF-3 / LF-3-P



### LF-5 / LF-5-G / LF-5-L



## Technical data

Drive unit	BF-800	K-40-H	LF-3	LF-3-P	LF-5	LF-5-G	LF-5-L
Supply voltage	230 V, 50 Hz	230 V, 50 Hz	230 V, 50 Hz	230 V, 50Hz	230 V, 50 Hz	230 V, 50 Hz	230 V, 50 Hz
Power	400 W	420 W	220 W	220 W	220 W	220 W	220 W
Protection rating	IP 67	IP 55	IP 55	IP 55	IP 55	IP 55	IP 55
Operating temperature	-20 °C /+55 °C	-25 °C /+75 °C	-20 C /+55 °C	-20 °C /+55 °C	-20 °C /+55 °C	-20 °C /+55°C	-20 °C /+55 °C
Current consumption	1,7 A	2,1 A	1 A	1 A	1 A	1 A	1 A
Pulling/pushing power	-	-	570 daN	380 daN	632 daN	790 daN	474 daN
Torque	600 Nm	400 Nm	-	-	-	-	-
Weight	13 kg	55 kg	7 kg	6,5 kg	8,6 kg	8,6 kg	10 kg

## Range of applications

Type	Gate leaf width	Gate leaf weight	Swing angle	Advantages/Use	Time to open
<b>BF-800</b>	up to 2000 mm	up to 800 kg	max. 113°	The «invisible» solution for medium opening widths	14 s
<b>K-40-H</b>	up to 4500 mm	up to 600 kg	max. 110°	The robust all-rounder for high user frequencies	9...14 s
<b>LF-3</b>	1000...1800 mm	up to 650 kg	max. 110°	The compact drive for medium opening widths	24 s
<b>LF-3-P</b>	750...1200 mm	up to 500 kg	max. 90°	For smaller opening widths and fast opening	10 s
<b>LF-5</b>	1000...4000 mm	up to 1000 kg	max. 130°	Well-designed automation for universal use	27 s
<b>LF-5-G</b>	4000...6000 mm	up to 1000 kg	max. 130°	Optimally suited to large opening widths	36 s
<b>LF-5-L</b>	1200...2200 mm	up to 1000 kg	max. 95°	Ideal for gates with wide gate jambs	26 s

These data refer to open-work gate leaf constructions. For applications with solid construction gate leaves (for wind load stressing), please contact us.